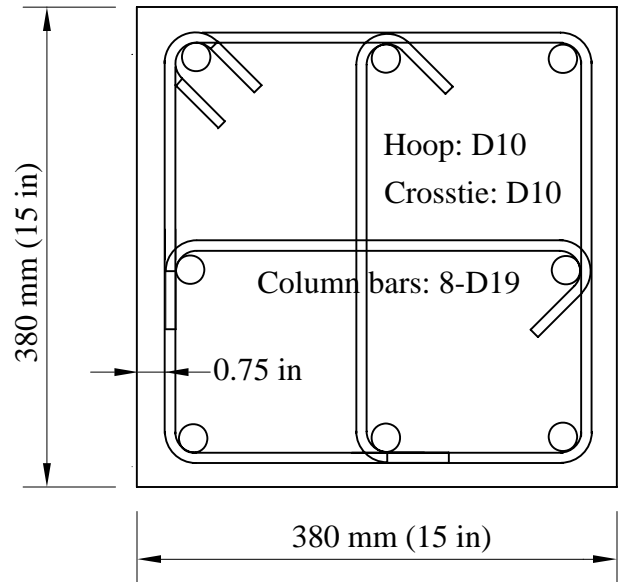
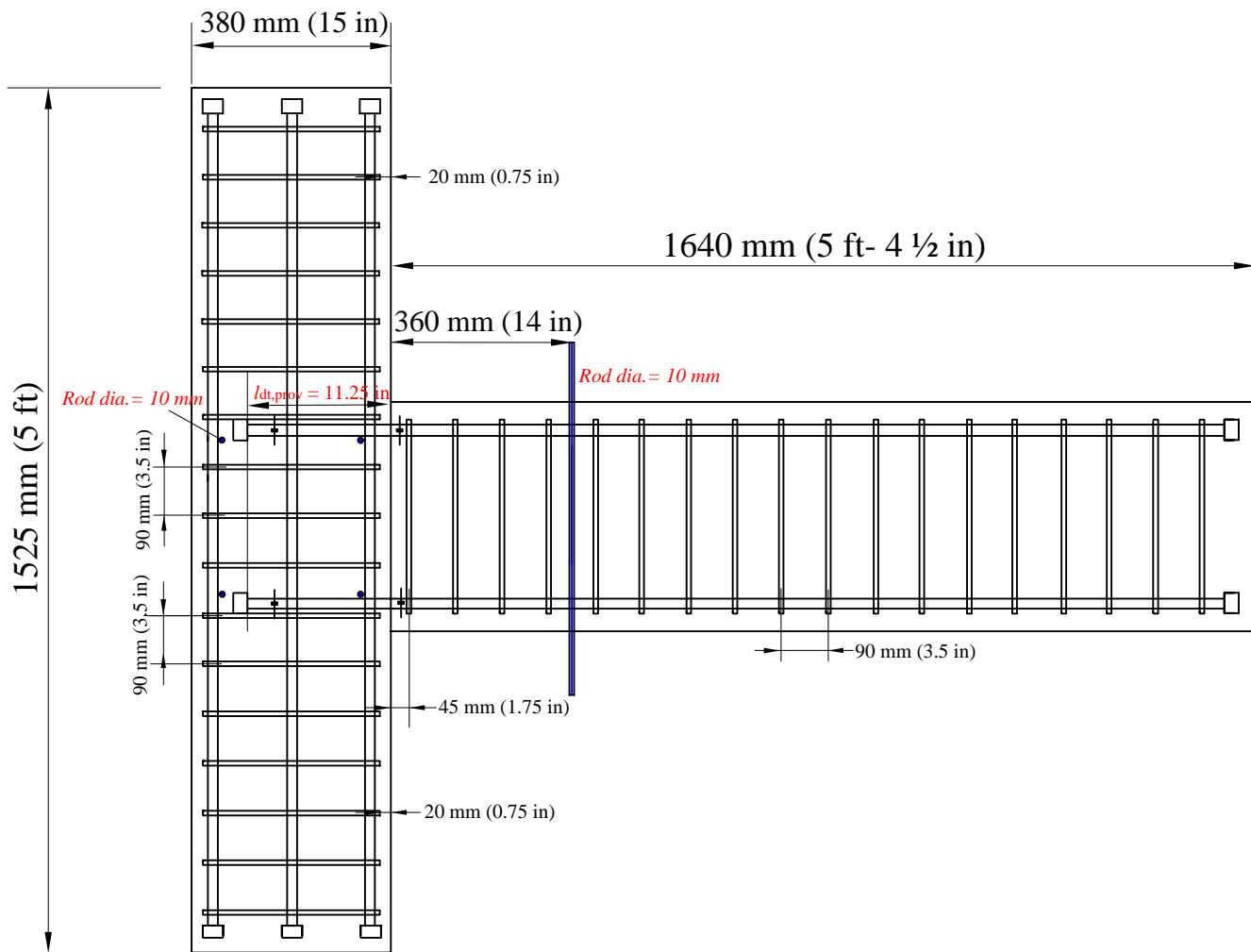


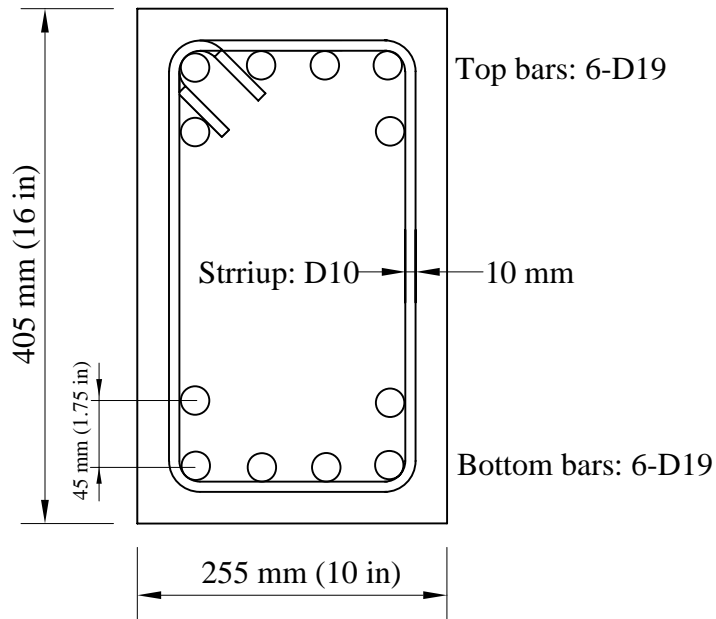
Beam



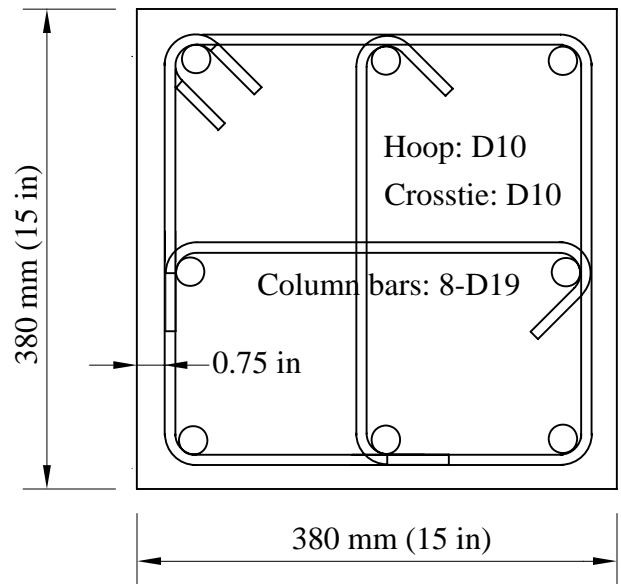
Column



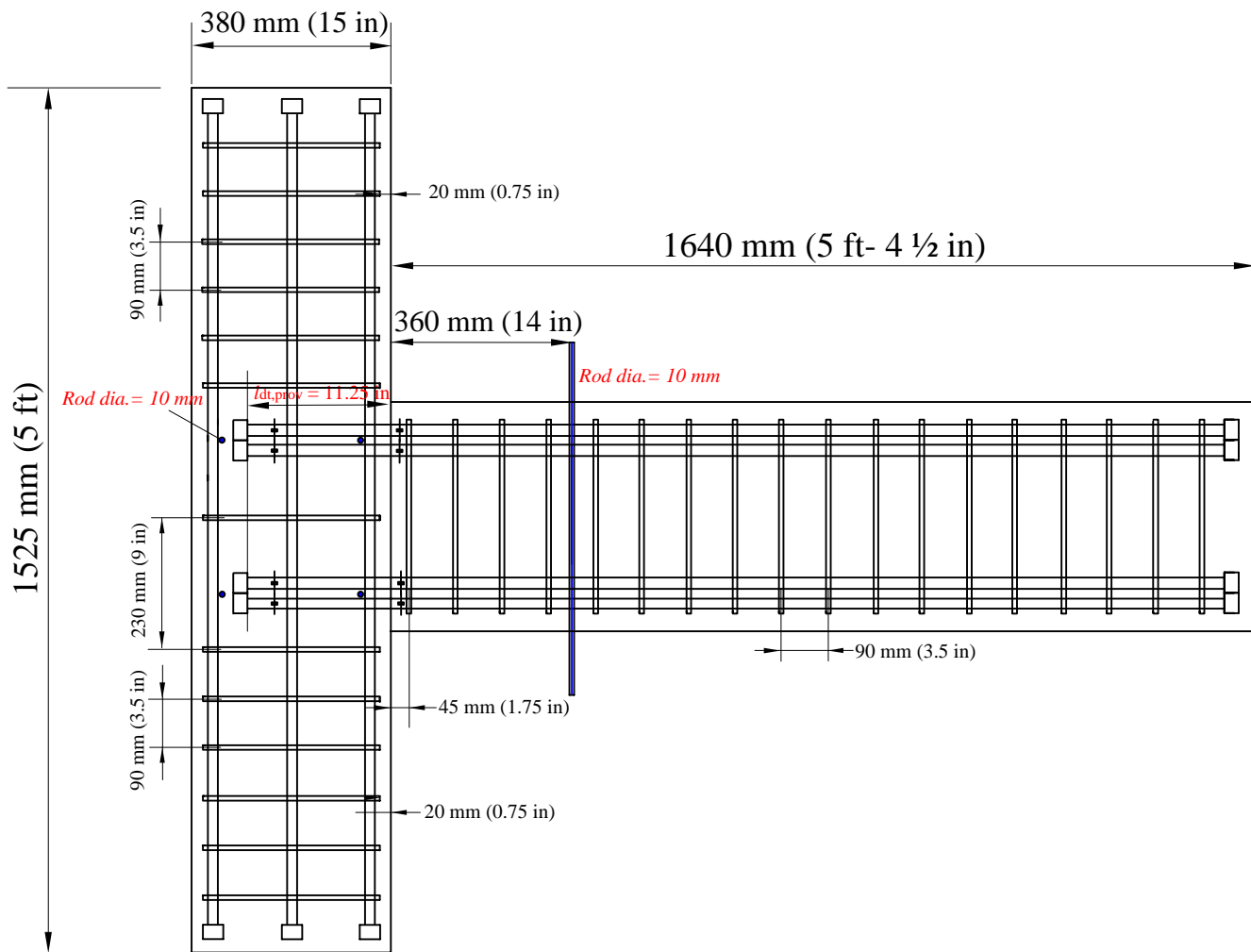
University of Oklahoma Fears Structural Lab.	Title	Date	Page
	Detail of Beam-Column Joint (JH-R1)	May 30 2008	1

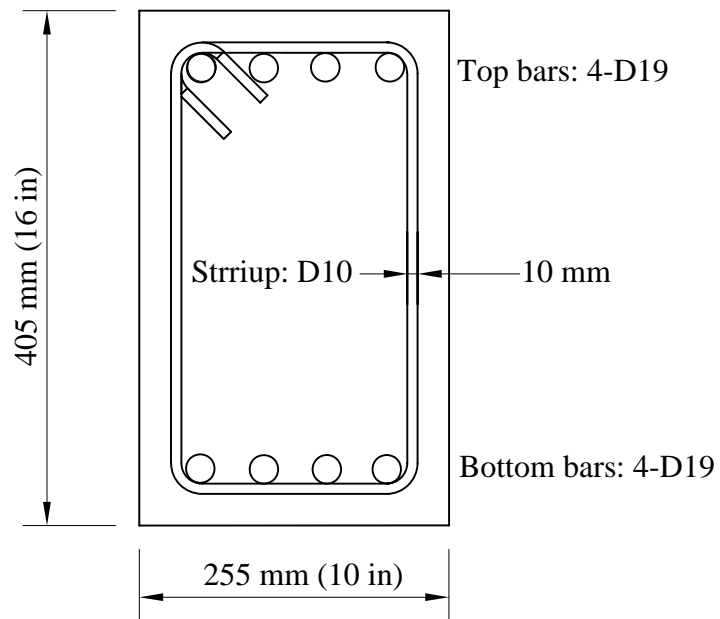


Beam

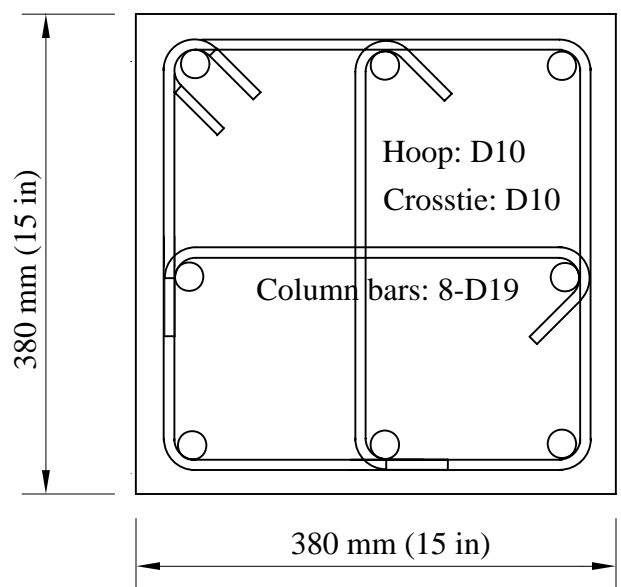


Column

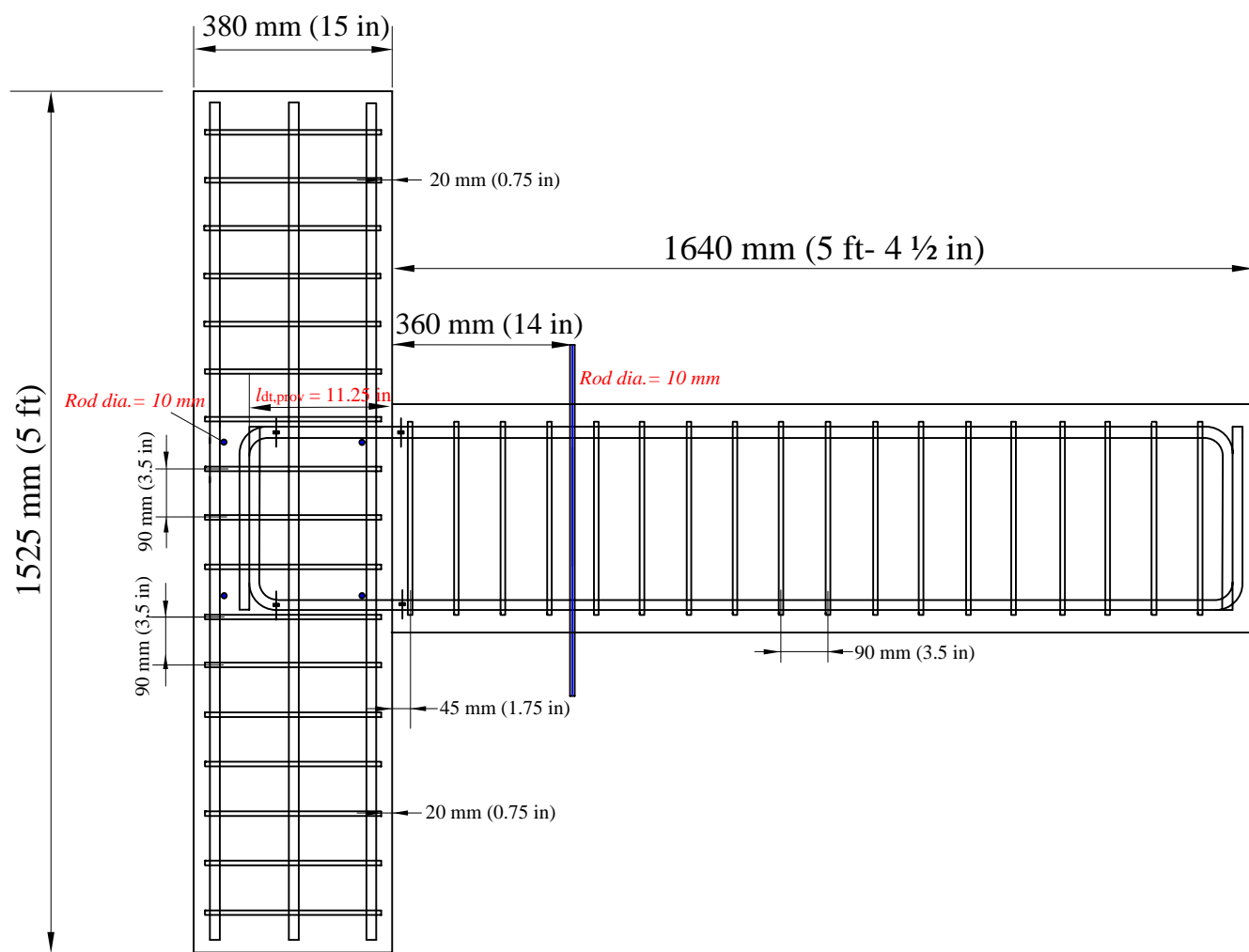




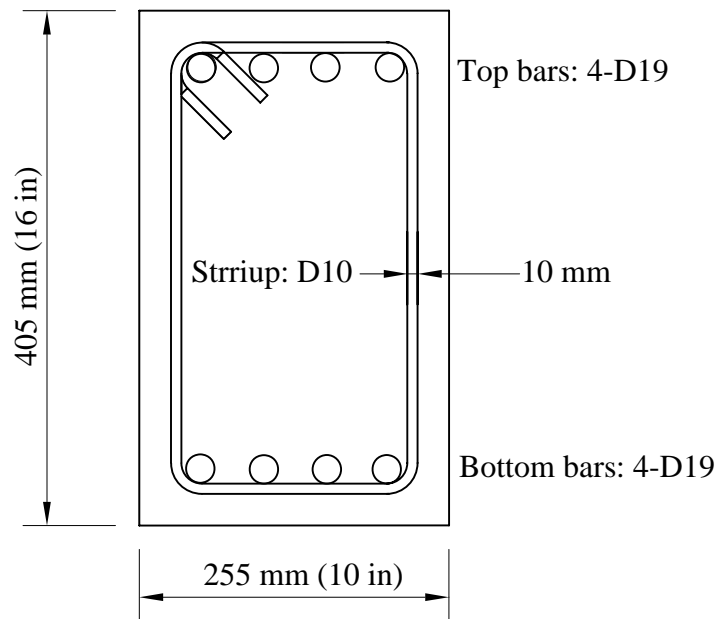
Beam Section



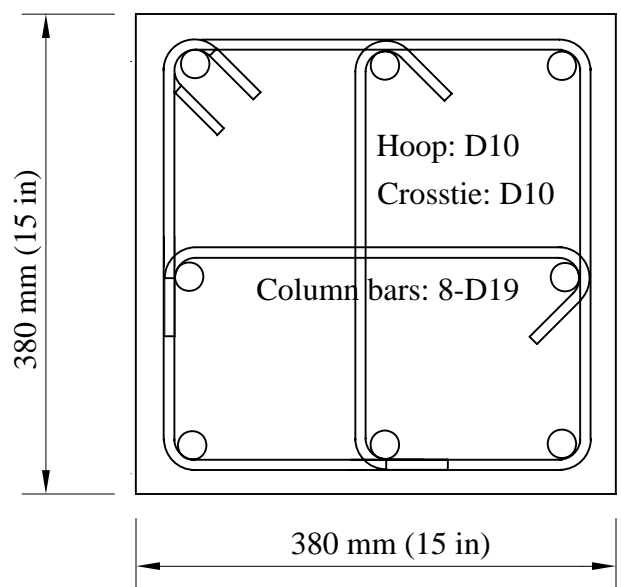
Column Section



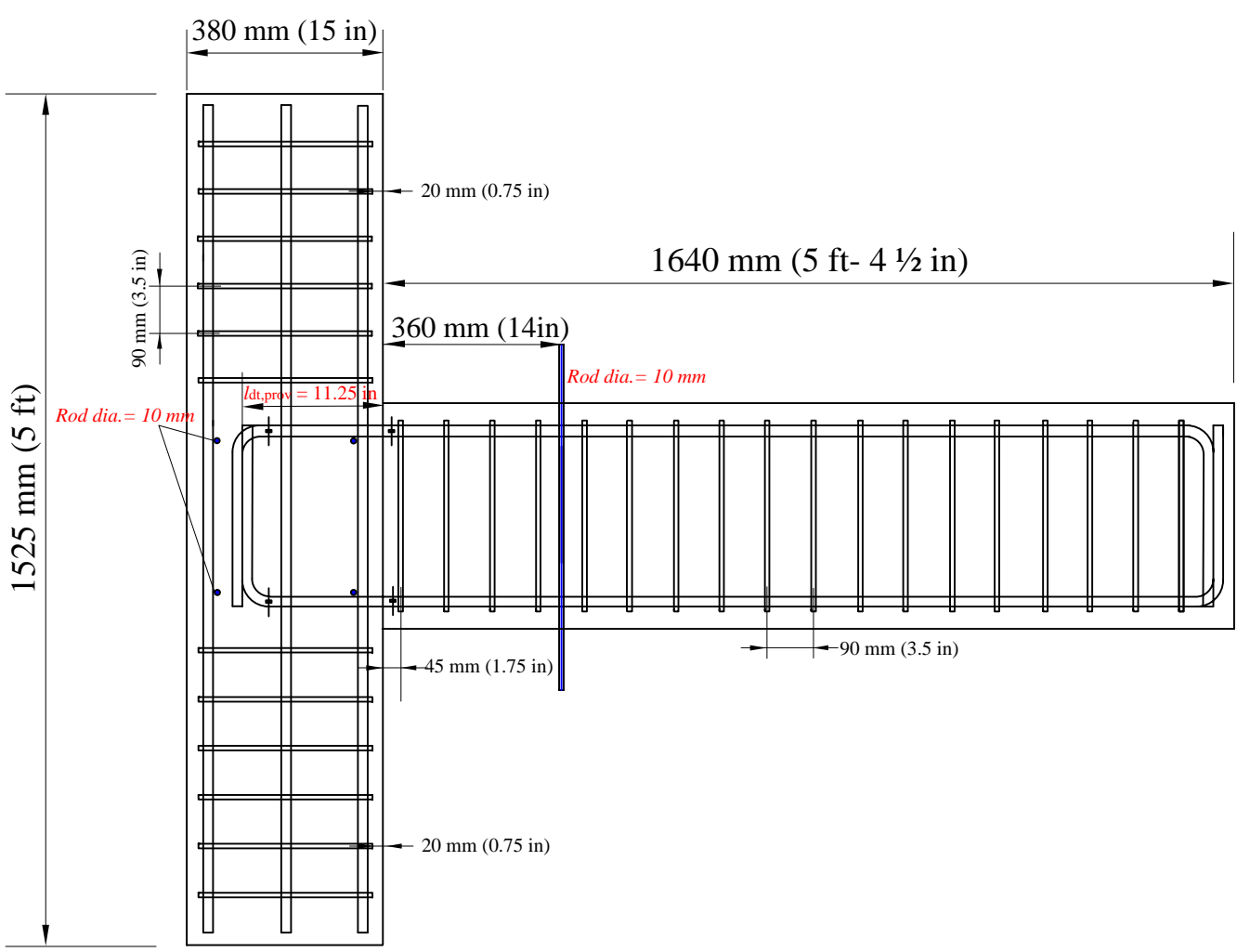
University of Oklahoma Fears Structural Lab.	Title	Date	Page
	Detail of Beam-Column Joint (JK-R)	May 29 2008	4



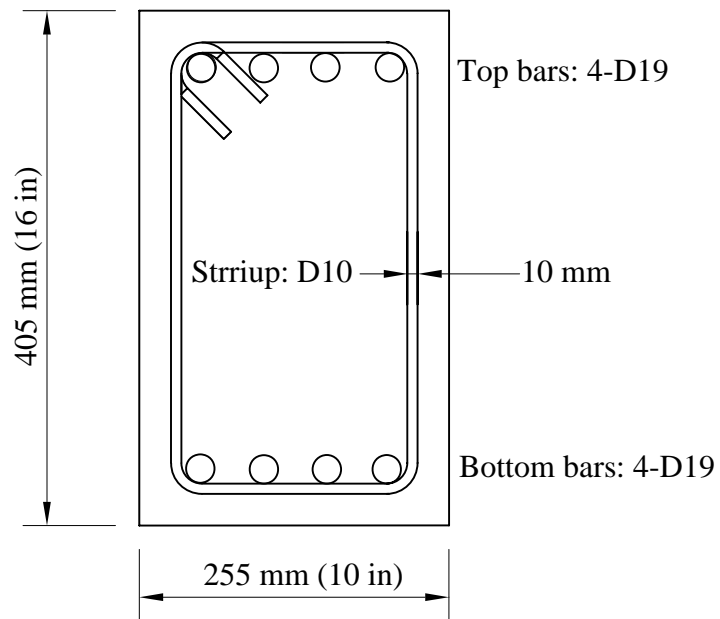
Beam Section



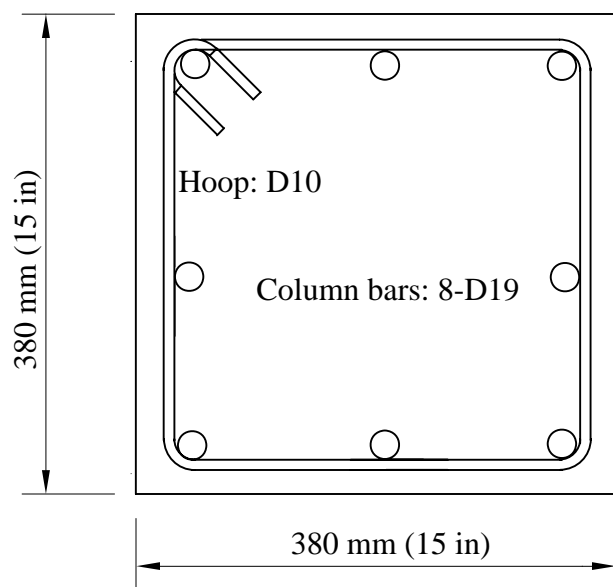
Column Section



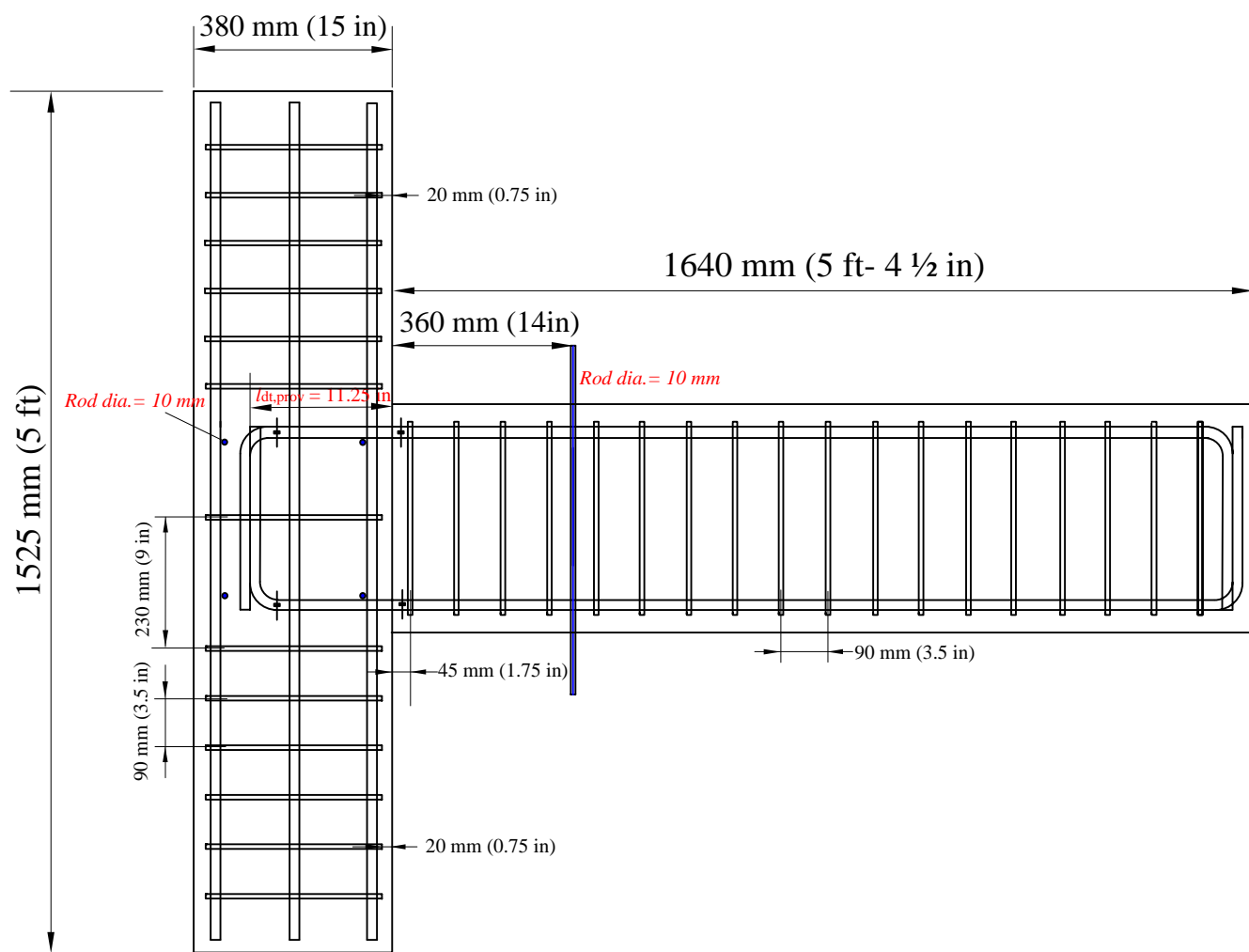
University of Oklahoma Fears Structural Lab.	Title	Date	Page
	Detail of BC Joint (JK-N, JK-NF-1.5, JK-NF-3.0)	May 29 2008	5



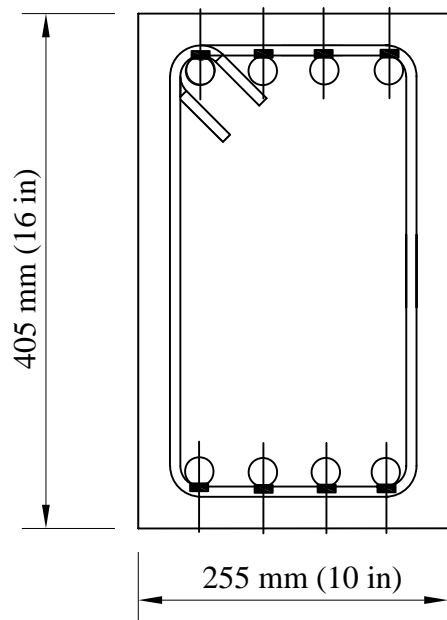
Beam Section



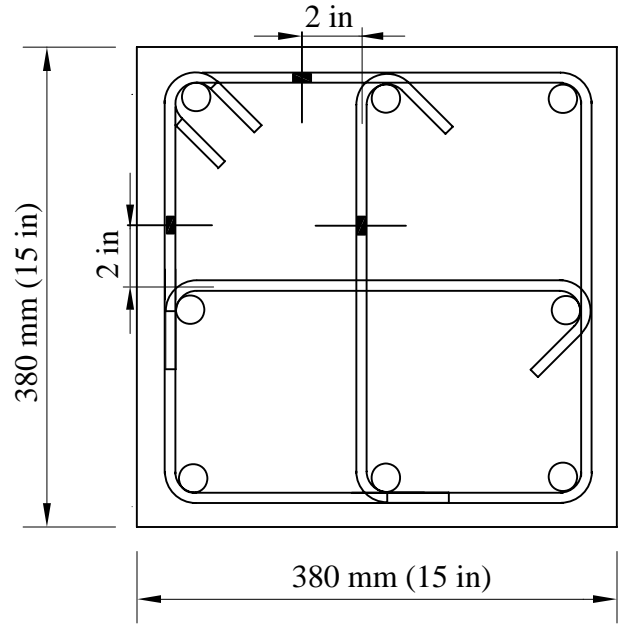
Column Section



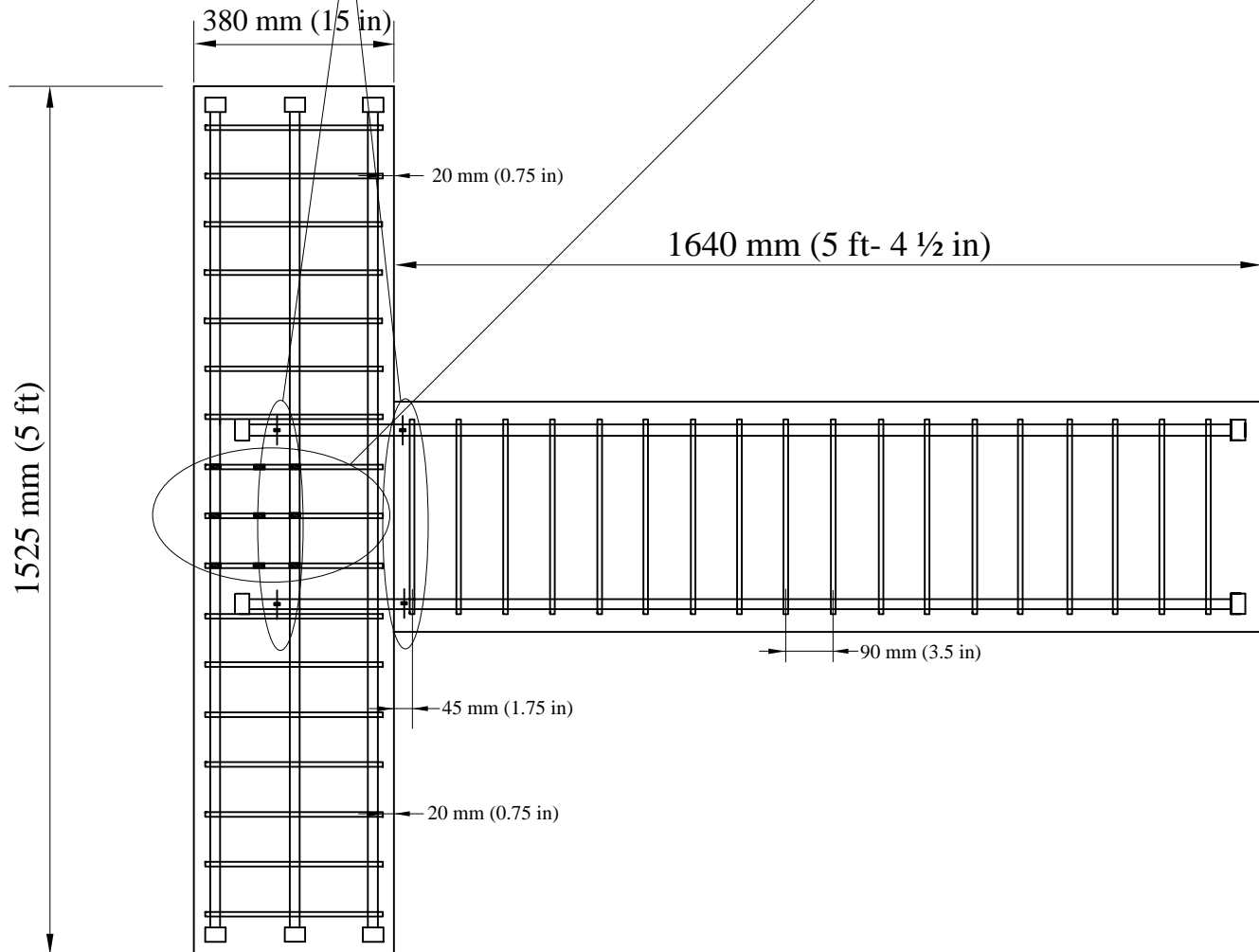
University of Oklahoma Fears Structural Lab.	Title	Date	Page
	Detail of BC Joint (JK-LF-1.5, JK-LF-3.0)	May 29 2008	6



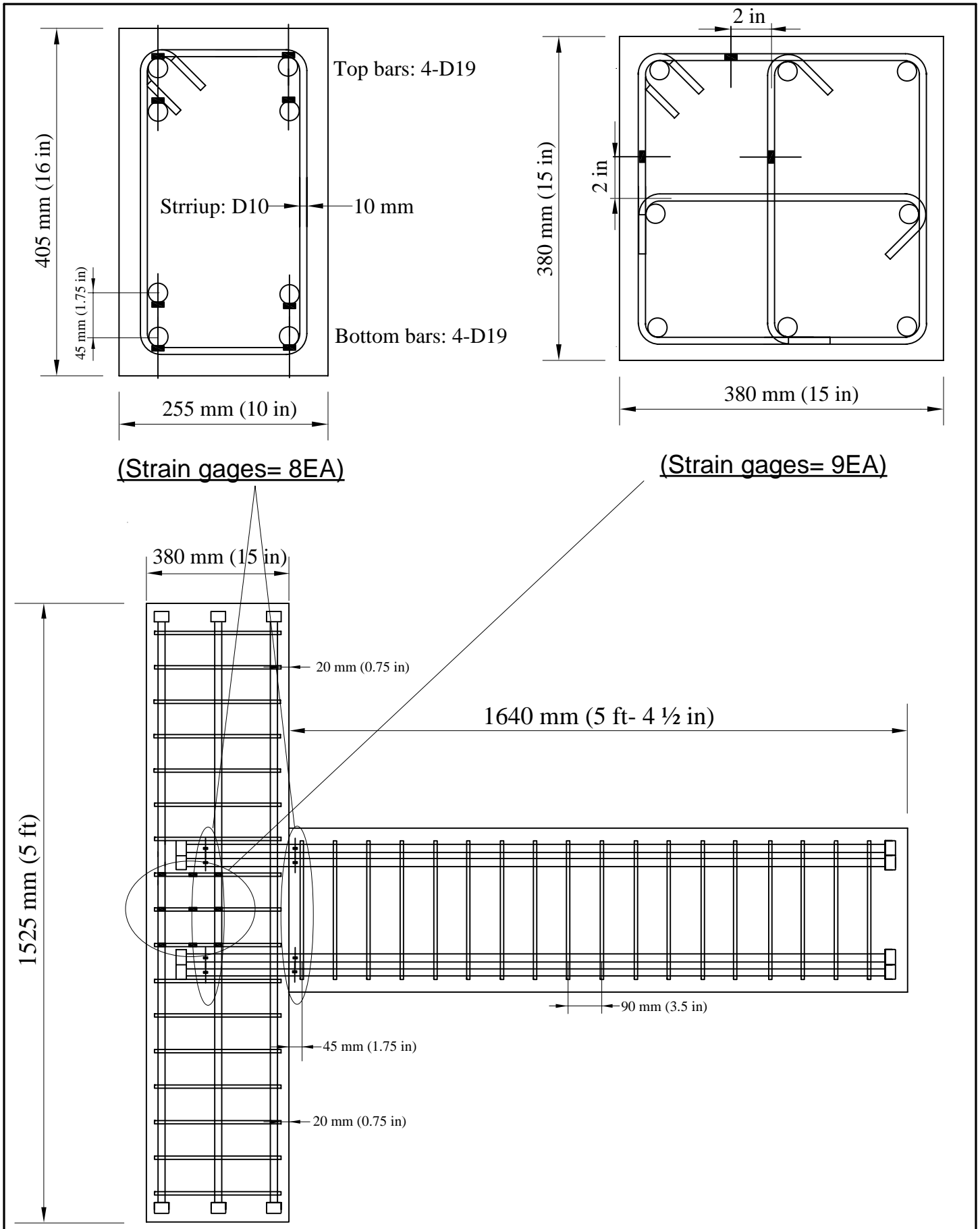
(Strain gages= 8EA)



(Strain gages= 9EA)



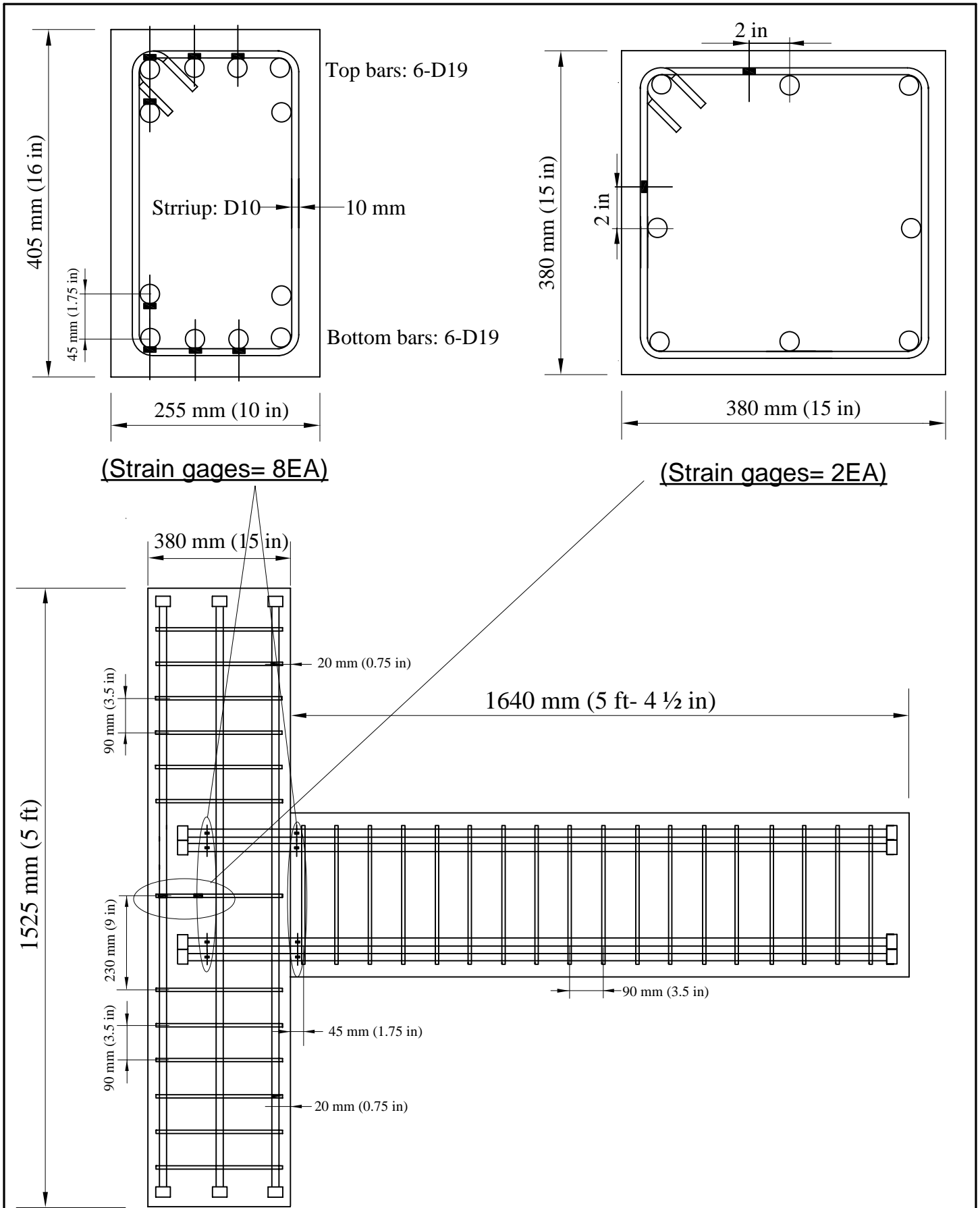
University of Oklahoma Fears Structural Lab.	Title	Date	Page
	Location of Strain gages (JH-R1)	June 02 2008	7



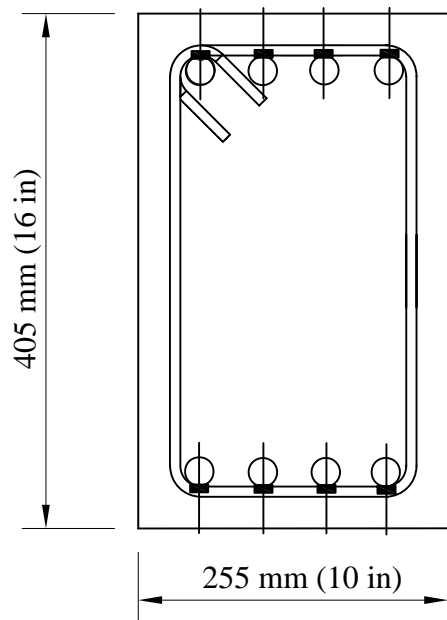
(Strain gages= 8EA)

(Strain gages= 9EA)

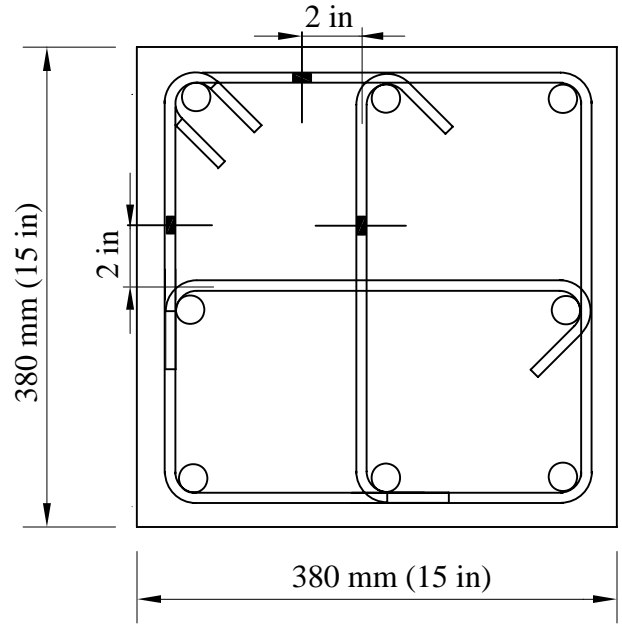
University of Oklahoma Fears Structural Lab.	Title	Date	Page
	Location of SGs (JH-R2)	June 02 2008	8



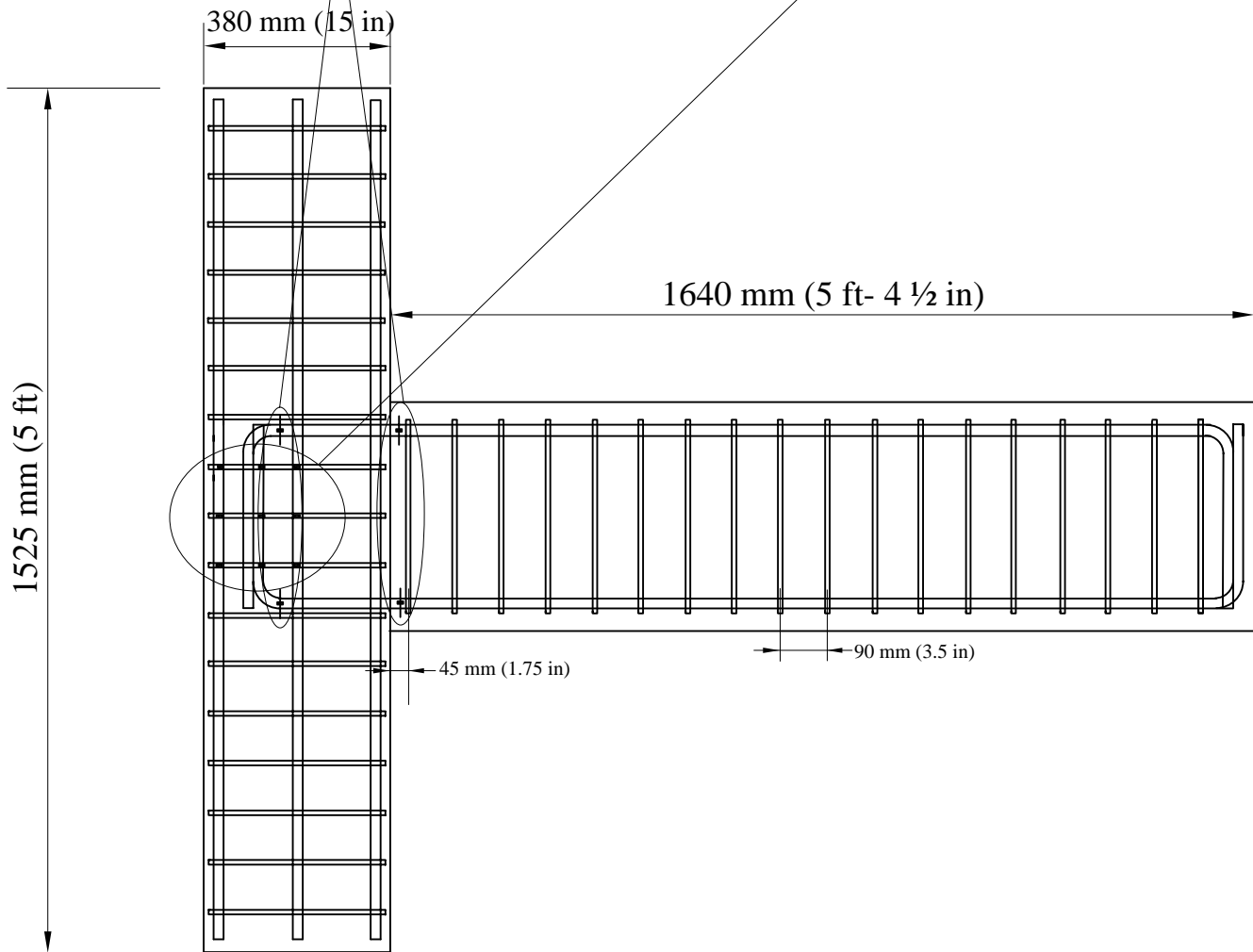
University of Oklahoma Fears Structural Lab.	Title	Date	Page
	Location of SGs (JH-L, JH-LF-1.5)	June 02 2008	9



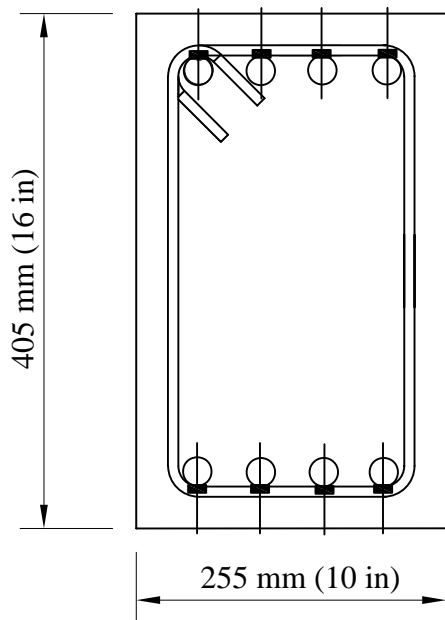
(Strain gages= 8EA)



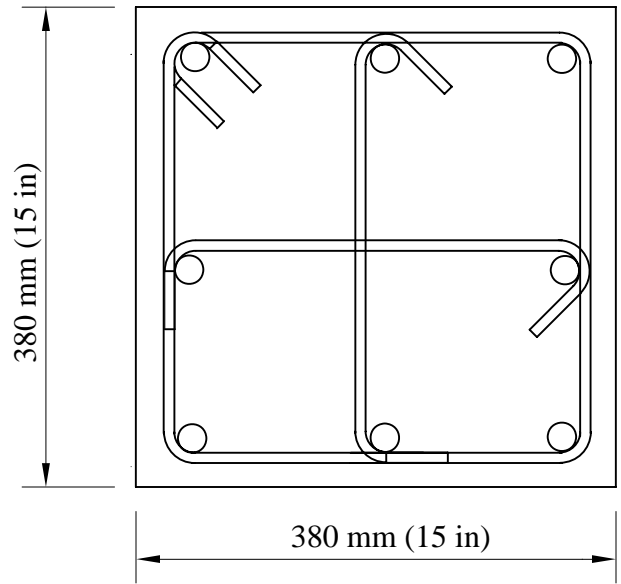
(Strain gages= 9EA)



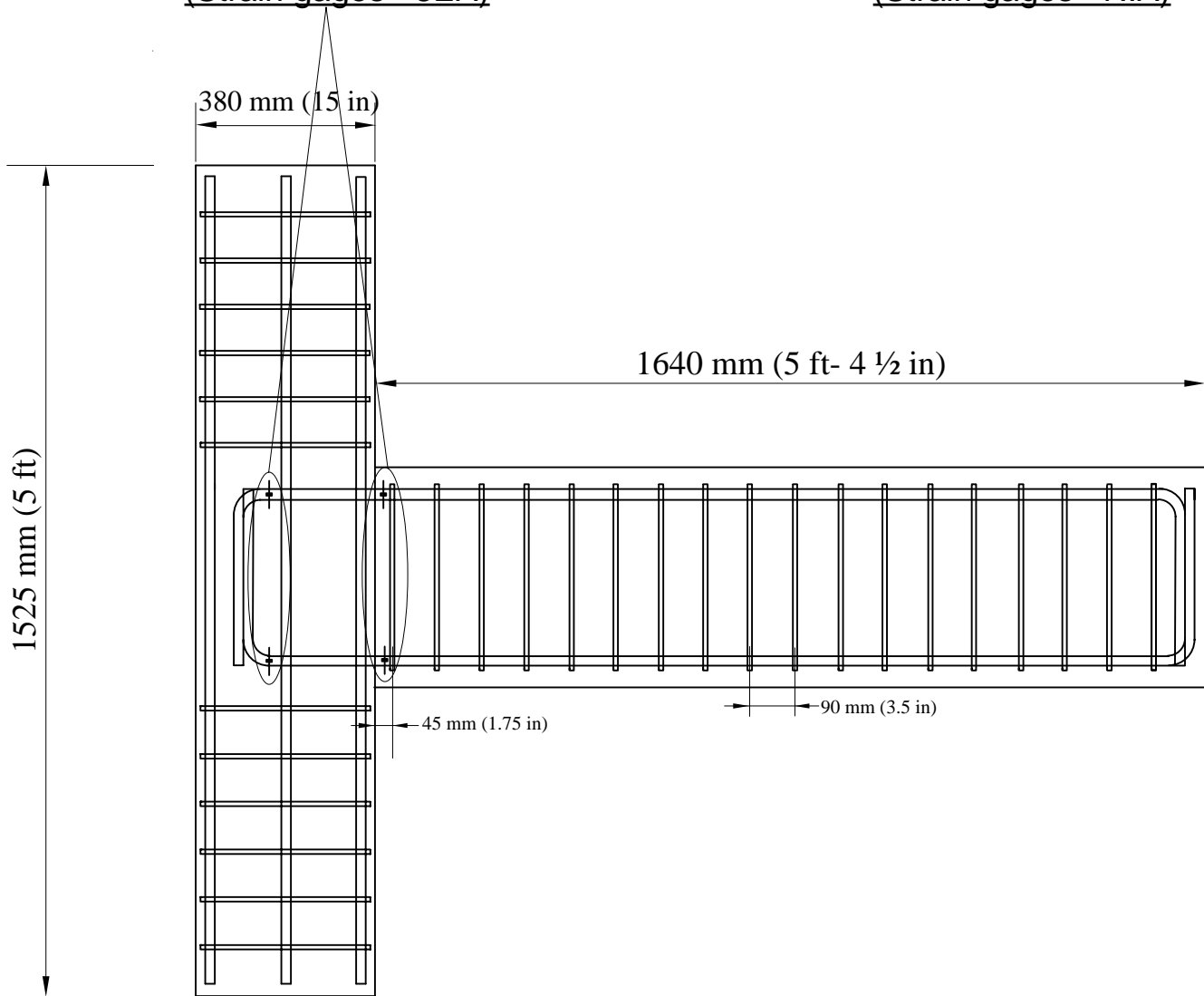
University of Oklahoma Fears Structural Lab.	Title	Date	Page
	Location of Strain gages (JK-R)	May 29 2008	10



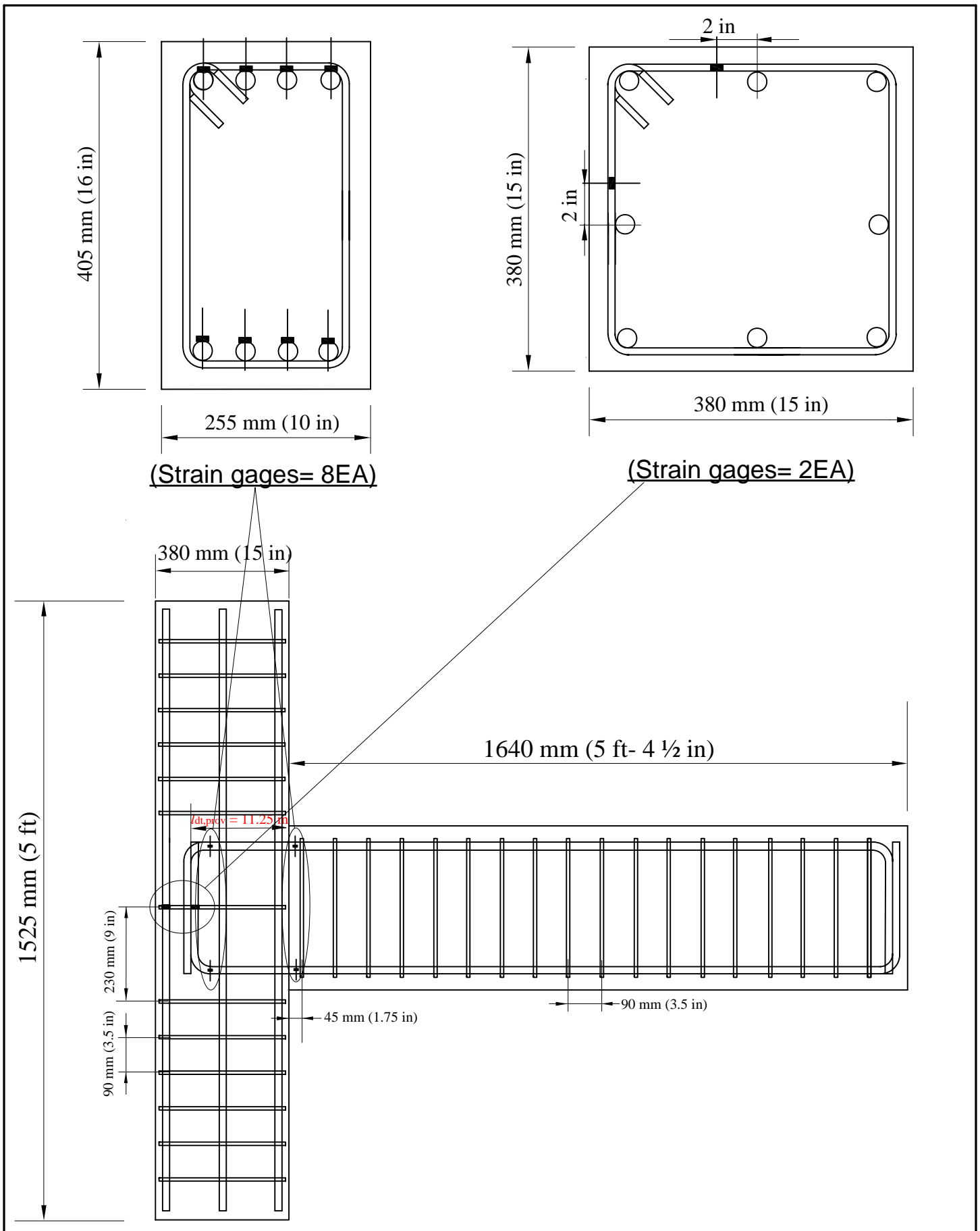
(Strain gages= 8EA)



(Strain gages= N.A)



University of Oklahoma Fears Structural Lab.	Title	Date	Page
	Location of SGs (JK-N, JK-NF-1.5, JK-NF-3.0)	May 29 2008	11



University of Oklahoma Fears Structural Lab.	Title	Date	Page
	Location of SGs (JK-LF-1.5, JK-LF-3.0)	May 29 2008	12